

ZEA

OPTICAL SORTER



ZEA

OPTICAL SORTER

The ZEA is a new sensor based sorter for Seed Corn producers to sort/grade by husk, defect, disease and size. It is the ideal efficiency, quality and cost reduction tool for processors where capacity, husk and defect sorts are critical. It is a low cost of ownership machine that is built to last.



DETECTION

The ZEA uses top mounted Color & NIR optical sensors to scan the surface of each individual item 'in flight'. This allows for an unobstructed view of the product with a high capacity sort. The color vision sensors analyse for size, shape and color etc. The NIR sensors (Near Infra Red) analyse for gross defects and foreign materials.

REJECTION

Gentle product handling is assured by design; the 1st grade produce gently pass through the machine while 2nd & 3rd grade are redirected into individual streams by intelligent paddle ejectors with precision and accuracy.

APPLICATIONS

*Seed Corn

BENEFITS OF THE ZEA

- +Unrivalled husk removal
- +Superior defect removal
- +Significant labor reduction
- +Reduced operational costs
- +Easy to install
- +World class service, support & expertise

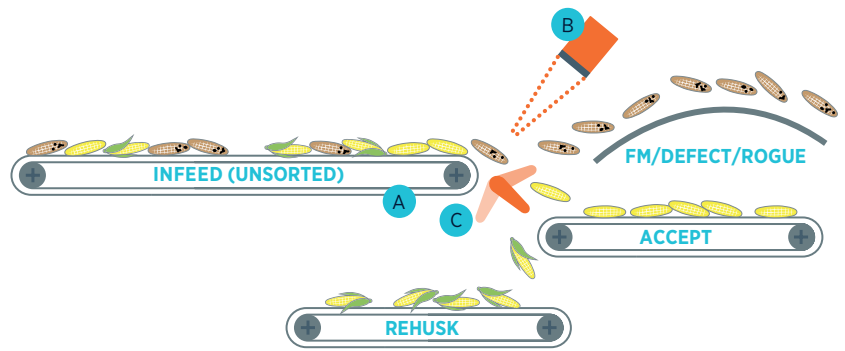
Gentle product handling
is assured by design



The ZEA's NIR optical sensors sort seed corn.

WORKING PRINCIPLE

The product is spread uniformly onto the infeed belt in an aligned & channeled fashion and will be scanned by cameras. A few milliseconds later one type of material will be diverted into the correct direction by a bank of paddles positioned at the end of the infeed belt while the good produce continue their way along the sorting line.



- A** Infeed (unsorted)
- B** Pulsed LED technology, VIS/NIR image sensor array
- C** Intelligent paddle ejectors

1 HIGH CAPACITY & LOW MAINTENANCE

High capacity and low maintenance are guaranteed by a simple belt/shaker feed system. This keeps installation and running costs low and reduces the risk of stoppages.

2 FLEXIBILITY & GENTLE HANDLING

Flexibility and gentle handling are given by design. Accept product passes smoothly through the sorter while intelligent low wear ejectors manage the other grades.

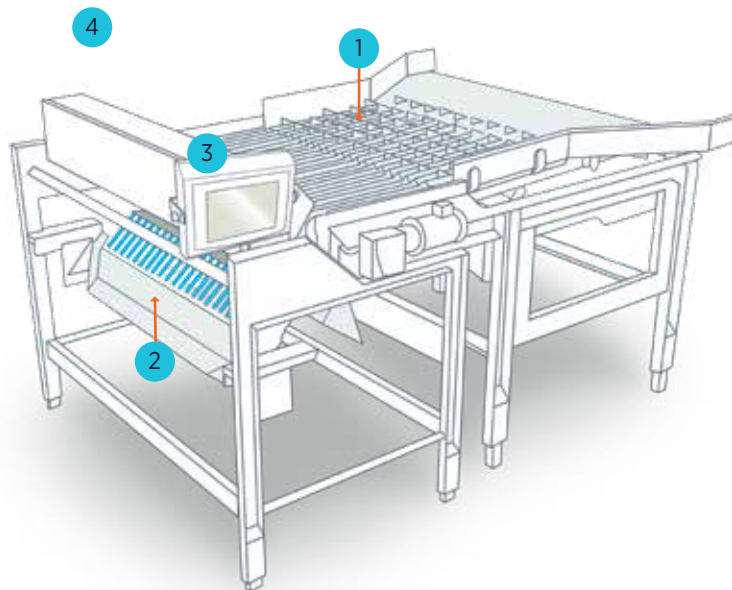
3 SIMPLE CONTROLS & FEEDBACK

Simple controls and feedback are provided by the robust touch screen. This makes it easy to call up set sorting criteria and to adjust the parameters to get the result you need.



4 CONSISTENT LONG LIFE ACCURACY

Consistent long life accuracy is guaranteed with the strong rugged construction with robust electronics and rejector. The 'off-belt' view guarantees a clear view and low maintenance.



ADVANCED SORTING PARAMETERS

- Size
- Husk
- Gross Defect
- Foreign Material



DIMENSIONS AND SPECIFICATIONS (Including Feed Shaker)

Model	Dimensions				Utilities (avg. consumption)		Capacity
	Width	Length	Height	Infeed Belt	Power	Air	Pieces per minute
ZEA 32	1598 mm (63")	1850 mm (73")	1850mm (73")	812 mm (32")	3 Kw	2.5 scfm	1500
ZEA 48	2004 mm (79")	1850 mm (73")	1850 mm (73")	1219 mm (48")	3 Kw	3.75 scfm	2250
ZEA 64	2410 mm (95")	1850 mm (73")	1850 mm (73")	1625 mm (64")	3 Kw	5 scfm	3000

* Capacity will vary depending on the average piece length



You are a Resource Revolutionary.

TOMRA Sorting Solutions Food unites two strong brands in the food industry to become the leading provider of sensor based sorting, peeling and processing technology for the fresh- and processed food industries.

Turning yield into usage, profits into progress, TOMRA transforms the way the world obtains, uses, and reuses its resources.

If you are interested in a free demonstration with your own product or if you need more information, please contact us directly.



TOMRA Sorting Food EMEA

Research Park Haasrode 1622
Romeinse straat, 20
3001 Leuven
BELGIUM

Tel: +32 16 396 396
Fax: +32 16 396 390
W: tomra.com/food
E: food-sorting@tomra.com

TOMRA Sorting Food AMERICAS

875 Embarcadero Drive
West Sacramento
California 95605
U.S.A.

Tel: +1 916 388 3900
Fax: +1 916 388 3901
W: tomra.com/food
E: food-sorting-us@tomra.com

TOMRA Sorting Food ASIA

1A/E, Rihua Building, No.8, Xinfeng 2nd Road
Huli District, Xiamen, Fujian, P.R.C
361006 Xiamen
CHINA

Tel: +86 571 8893 5895
Fax: +86 571 8893 5897
W: tomra.com/food
E: food-sorting-asia@tomra.com