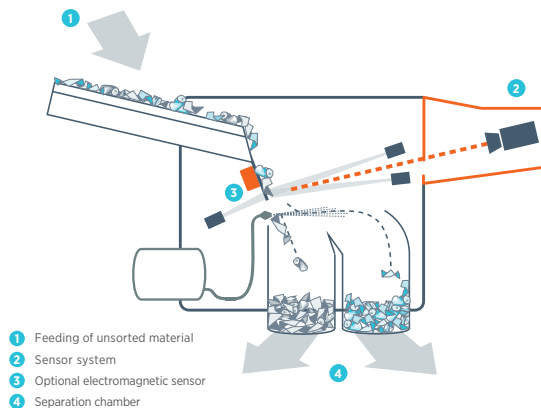
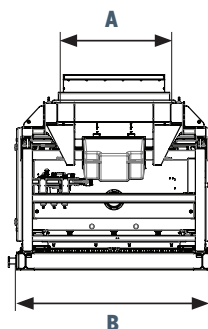
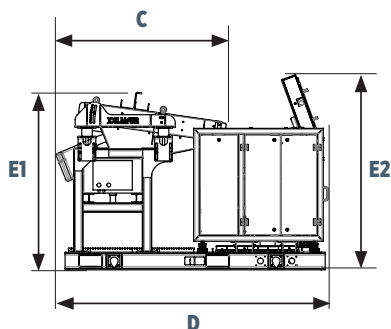


COMBISENSE CHUTE

	600	1200
A	535 mm	1,135 mm
B	1,550 mm	2,150 mm
C	1,730 mm	1,730 mm
D	2,650 mm	2,650 mm
E1	1,850 mm	1,850 mm
E2	1,988 mm	1,988 mm

Valves	Nozzle Pitches
TS100	4 mm



APPLICATIONS & SENSOR CONFIGURATIONS

Application	Sensor Configuration	Description
Copper Granulate	CRGB, CRGB-EM3	Purifying of fines metal fractions, e.g. Copper Granulates, removing Lead and other impurities.
Mixed Metal Sorting	CRGB, CRGB-EM3	Sorting out different Metals by colors e.g. Copper, Brass, Grey Metals.
Red Metal Sorting	CRGB, CRGB-EM3	Sorting out Copper and Brass.
Special Application		On request

THE COMBISENSE ADVANTAGE

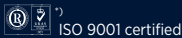
**MAXIMUM YIELD STABILITY
AND HIGH PURITY RESULTS**
IN HIGH PROFITS

**INCOMPARABLE RELIABILITY
AND PEAK PERFORMANCE**
RESULTING FROM ROBUST
MACHINERY

**EXCEPTIONAL CONSISTENCY
OF SUPERIOR YIELD**
THROUGH PATENTED AND
REVOLUTIONARY TECHNOLOGY
THAT ENABLES DETECTION
AT EVEN THE SMALLEST
GRAIN SIZES

MAXIMUM METAL RECOVERY
ACROSS NUMEROUS
COMBINATIONS AND
COMPLEXITY LEVELS OF
METAL APPLICATIONS
THANKS TO MULTIPLE
SORTING PROGRAMS

**SUPERIOR ALL-AROUND
SERVICE SUPPORT WITH
TOMRA CARE**



We print on 100% recycled paper.
TOMRA Sorting's innovations are
helping to produce it.

Recycling Hub
TOMRA Sorting GmbH*)
Otto-Hahn-Strasse 6
56218 Mülheim-Kärlich
Germany
Phone: +49 2630 9652 0
Fax: +49 2630 9652 101
recycling-sorting@tomra.com

UK & Ireland
TOMRA Sorting LTD
53-55 Queens Road
Loughborough
LE11 1HA
United Kingdom
Phone: + 44 1509 23 22 39
Fax: +44 203 481 1323
info-uk@tomrasorting.com

United Arab Emirates
TOMRA Sorting JLT
Unit No. 3702-21, floor No. 37,
Mayfair Executive Offices JLT,
Jumeirah Business Center 2,
Jumeirah Lake Towers
Dubai
United Arab Emirates
Phone: +971 4 3745744