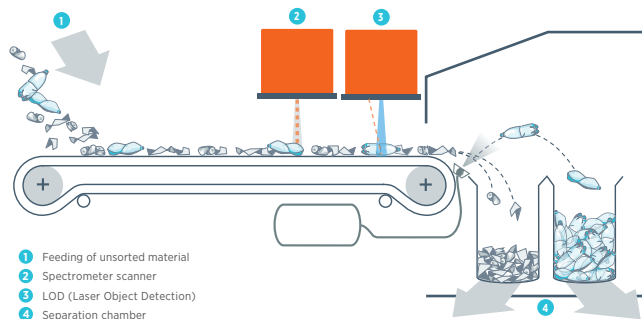
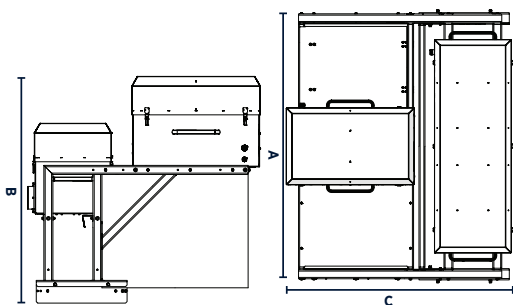


# OPTION: LOD (LASER OBJECT DETECTION) FOR AUTOSORT

	1000	1200	1400	1800	2000	2400	2800
<b>A</b>	1813 mm	2013 mm	2213 mm	2613 mm	2813 mm	3213 mm	3613 mm
<b>B</b>	1498 mm	1498 mm	1648 mm	1498 mm	1498 mm	1498 mm	1648 mm
<b>C</b>	1459 mm	1459 mm	1532 mm	1459 mm	1459 mm	1459 mm	1532 mm
Weight*	225 kg	232 kg	240 kg	269 kg	273 kg	378 kg	393 kg

\* The data is indicative and application-dependent. Exact data upon request.



## APPLICATIONS & SENSOR CONFIGURATIONS

Application*	Sensor Configuration	Description
Recovery of Black plastics/ objects (black PP, PE, PET etc.)	NIR1, NIR1-NIR2, NIR1-VIS	sorting out black plastics/objects from residues
Paper Cleaning	NIR1, NIR1-VIS	sorting out impurities (black objects and polymers) from paper concentrate

\* Special Application - on request

# THE TOMRA ADVANTAGE

**HIGH THROUGHPUT,  
HIGH CONSISTENCY,  
HIGH PRODUCT YIELD**  
RESULT IN HIGH PROFITS

---

**INCOMPARABLE RELIABILITY  
AND PEAK PERFORMANCE**  
RESULTING FROM ROBUST  
MACHINERY

---

**EXCEPTIONAL CONSISTENCY  
OF SUPERIOR YIELD**  
THROUGH PATENTED AND  
REVOLUTIONARY TECHNOLOGY  
THAT ENABLES DETECTION  
AT EVEN THE SMALLEST  
GRAIN SIZES

**SUBSTANTIALLY LESS DOWN-  
TIME, GREATER OUTPUT  
STABILITY AND LOW ENERGY  
CONSUMPTION** THROUGH  
PATENTED AND PIONEERING  
TECHNOLOGY

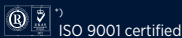
---


**MULTI-PARAMETER FILTERING**  
VIA TOMRA'S STATE-OF-THE-  
ART **MATERIAL SELECTIVITY  
FUNCTION (MSF)** ENSURES  
OPTIMAL MATERIAL SORTING  
AND LEADS TO MAXIMUM  
PRODUCT YIELD

**SUPERIOR SERVICE SUPPORT**  
WITH TOMRA CARE

---

**FLEXIBLE INTEGRATION**  
INTO SORTING SYSTEMS  
ALLOWING SEPARATION  
OF BLACK ITEMS FROM  
VARIOUS WASTE STREAMS



 We print on 100% recycled paper.  
TOMRA Sorting's innovations are  
helping to produce it.

## RECYCLING HEADQUARTERS

TOMRA Sorting GmbH\*)  
Otto-Hahn-Strasse 6  
56218 Mülheim-Kärlich  
Germany  
Phone: +49 2630 9652 0  
Fax: +49 2630 9652 101  
[recycling-sorting@tomra.com](mailto:recycling-sorting@tomra.com)